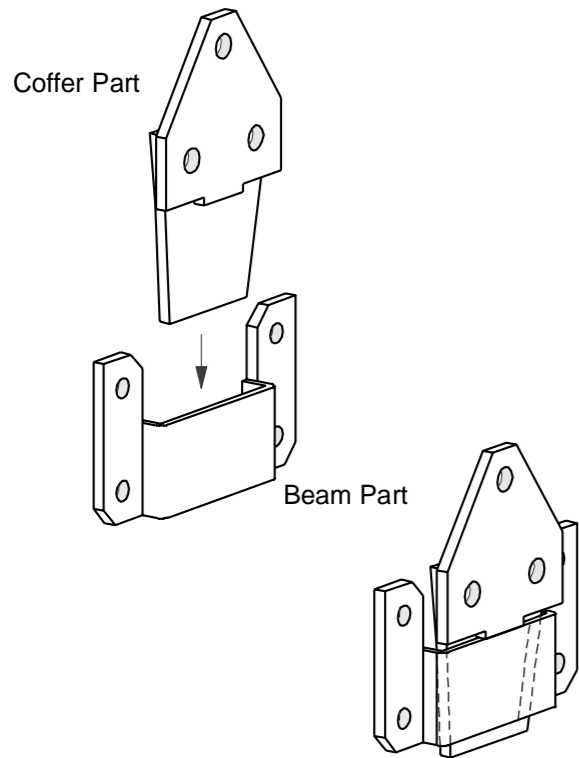
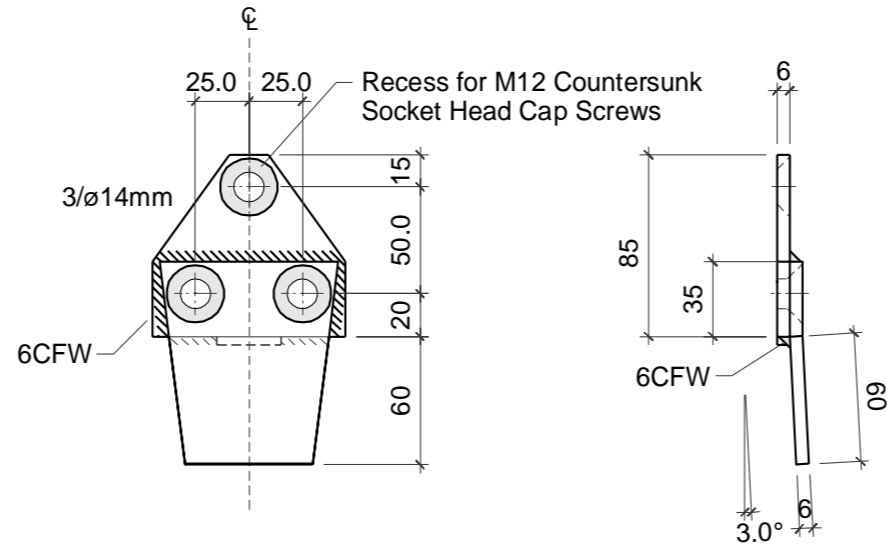


Components Coffer Part

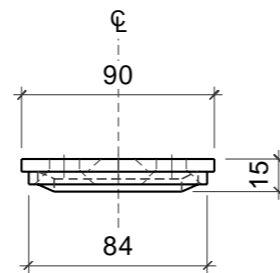


Axonometric view



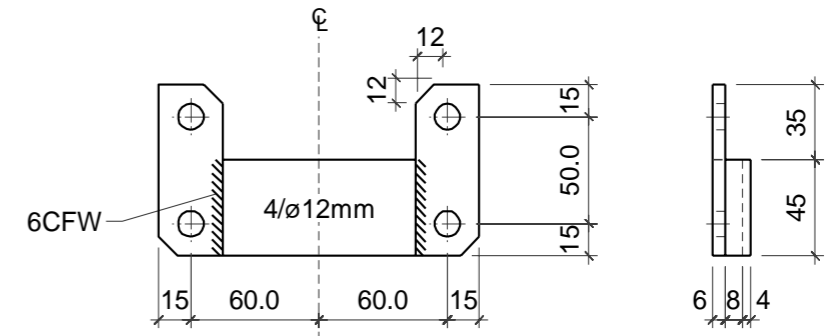
Elevation

Side view



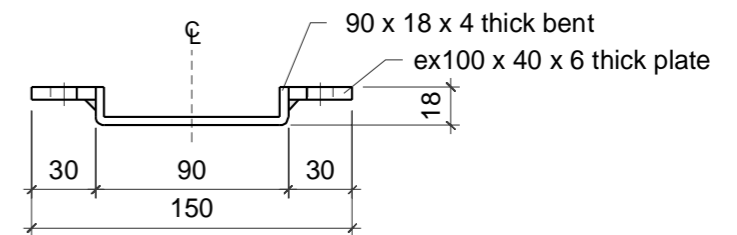
Plan view

Coffer Part



Elevation

Side view



Plan view

Beam Part

TOLERANCE SPECIFICATION

XX. = ±1mm
XX.X = +0.1mm

1. BRACKET FROM 6 mm and 4 mm THICK Gr. 250 STEEL
2. ALL HOLES AS NOTED
3. ELECTROPLATE AFTER FABRICATION

NO OFF. 108

Rev No	Revision	Date	By	Checked
A	ISSUED FOR APPROVAL	02Dec13		
A	Steel thickness, holes sizes	26.11.13	CE	

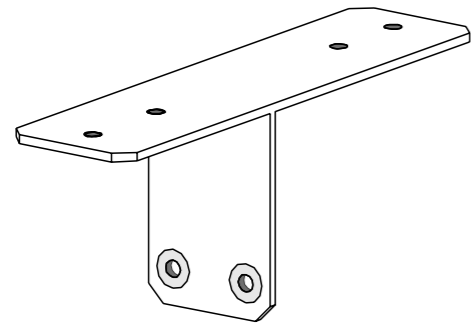
Timberbuilt Solutions Pty Ltd
58A WHITESIDE ROAD, CLAYTON SOUTH.
PH: (03) 9543 3733 FAX: (03) 9543 3766

BOTTOM BRACKET - COFFER/BEAM

Project : Faculty of Architecture, Building and Planning Parkville Campus For : University of Melbourne, VIC 3010, Australia	Job number: 13013	Sheet: WSD1 A4	Date: 15 Aug 2013
	Scale: 1:5	Drawing Number 4993	Drawn CE

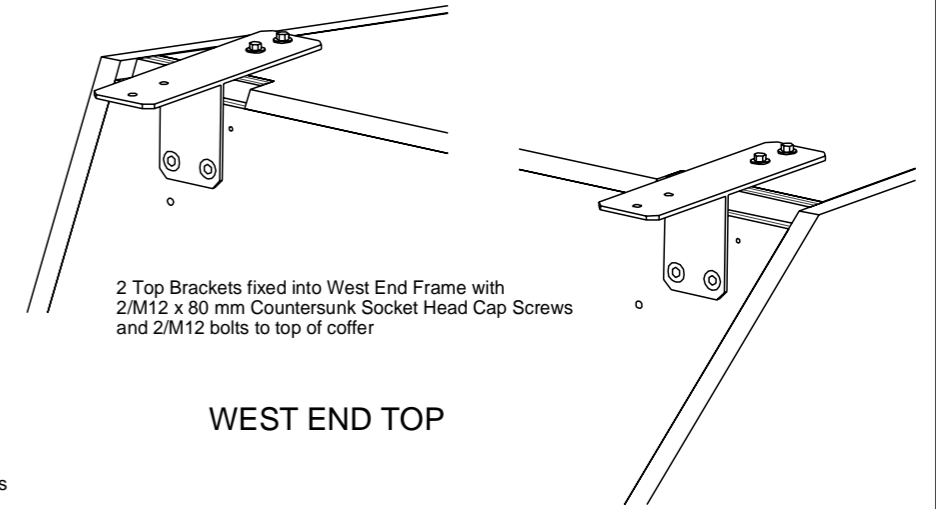
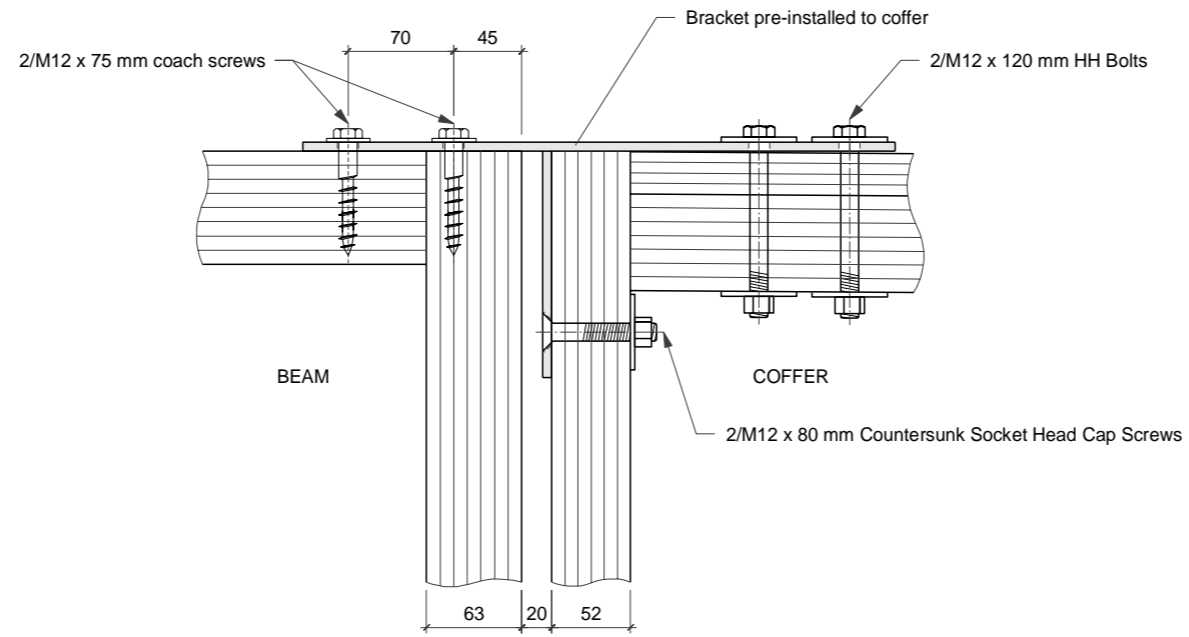
WORKSHOP DRAWING

COPYRIGHT RESERVED

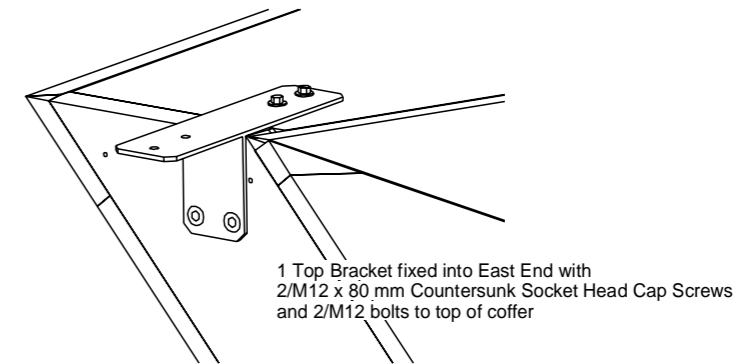


Axonometric view

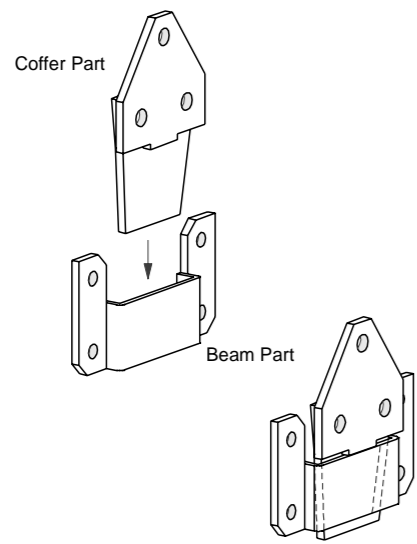
TOP BRACKET



WEST END TOP

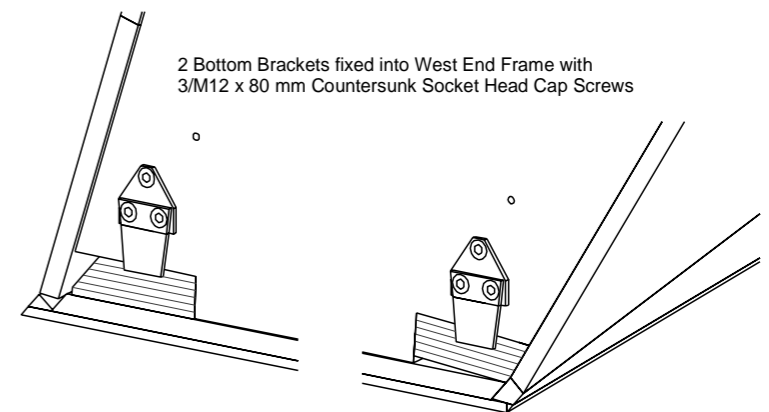
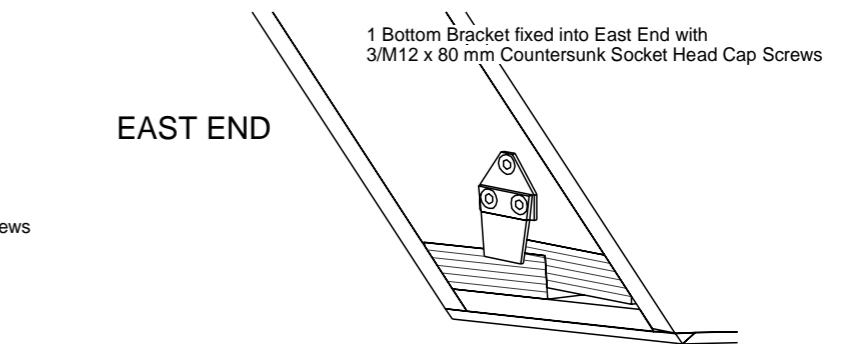
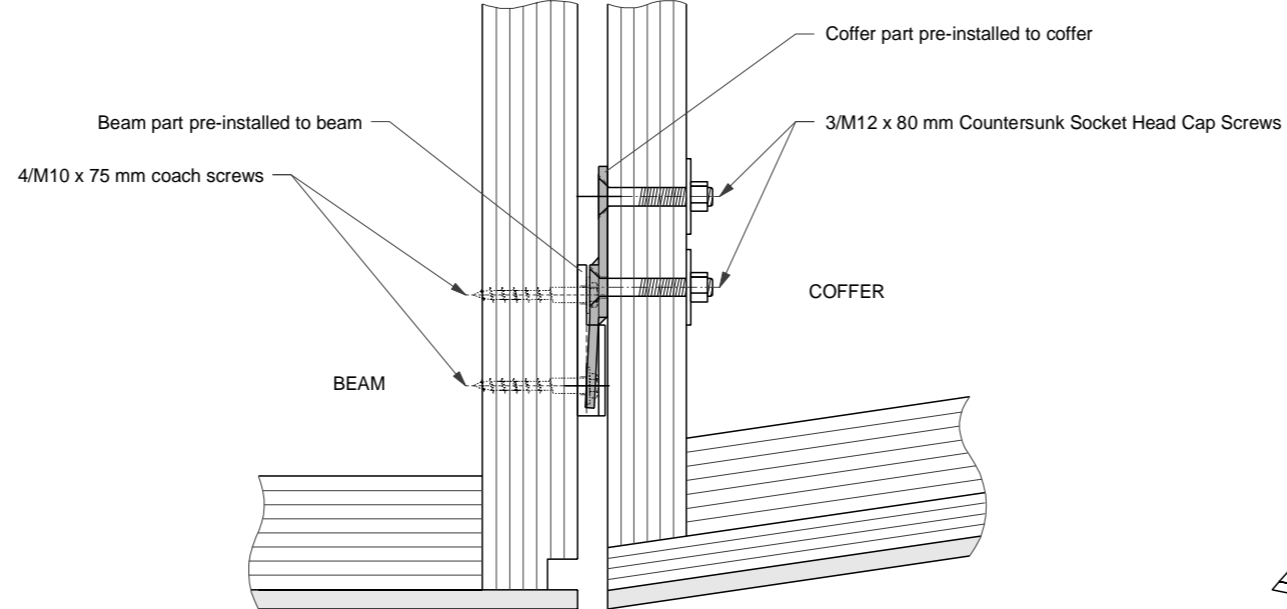


EAST END



Axonometric view

BOTTOM BRACKET



WEST END BOTTOM



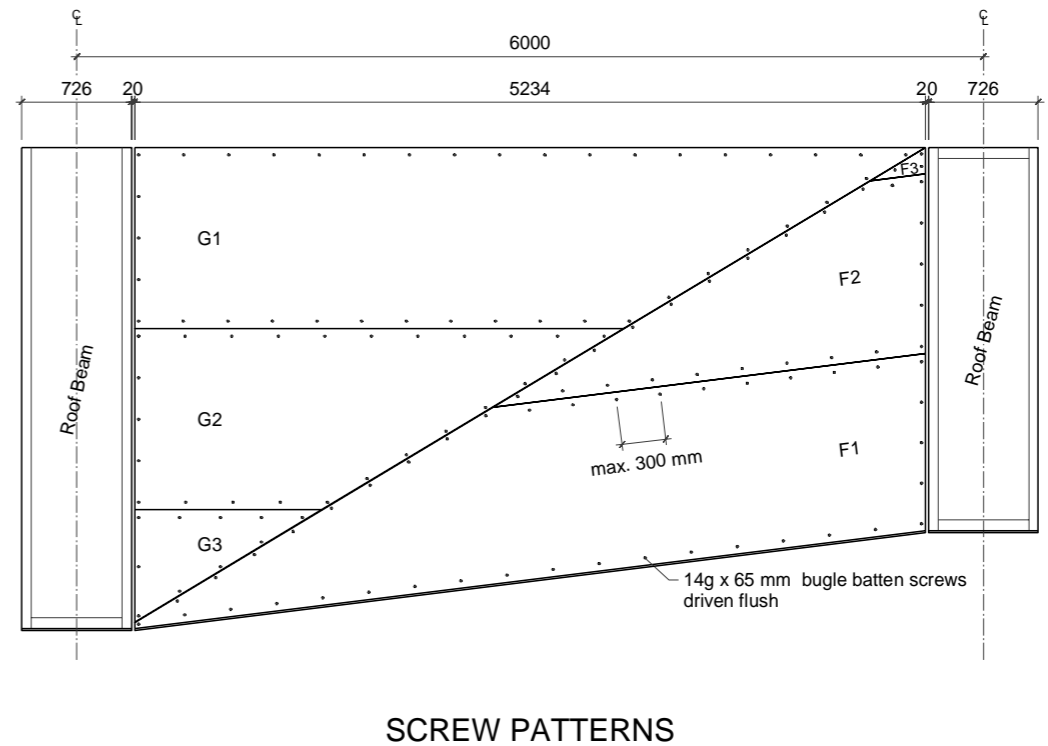
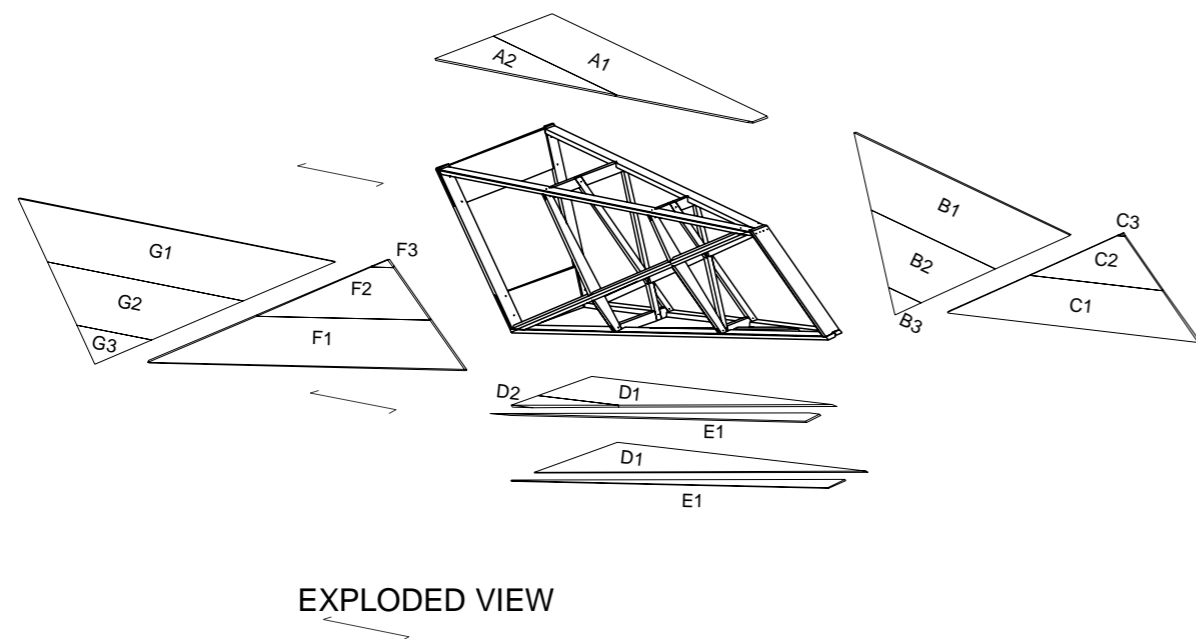
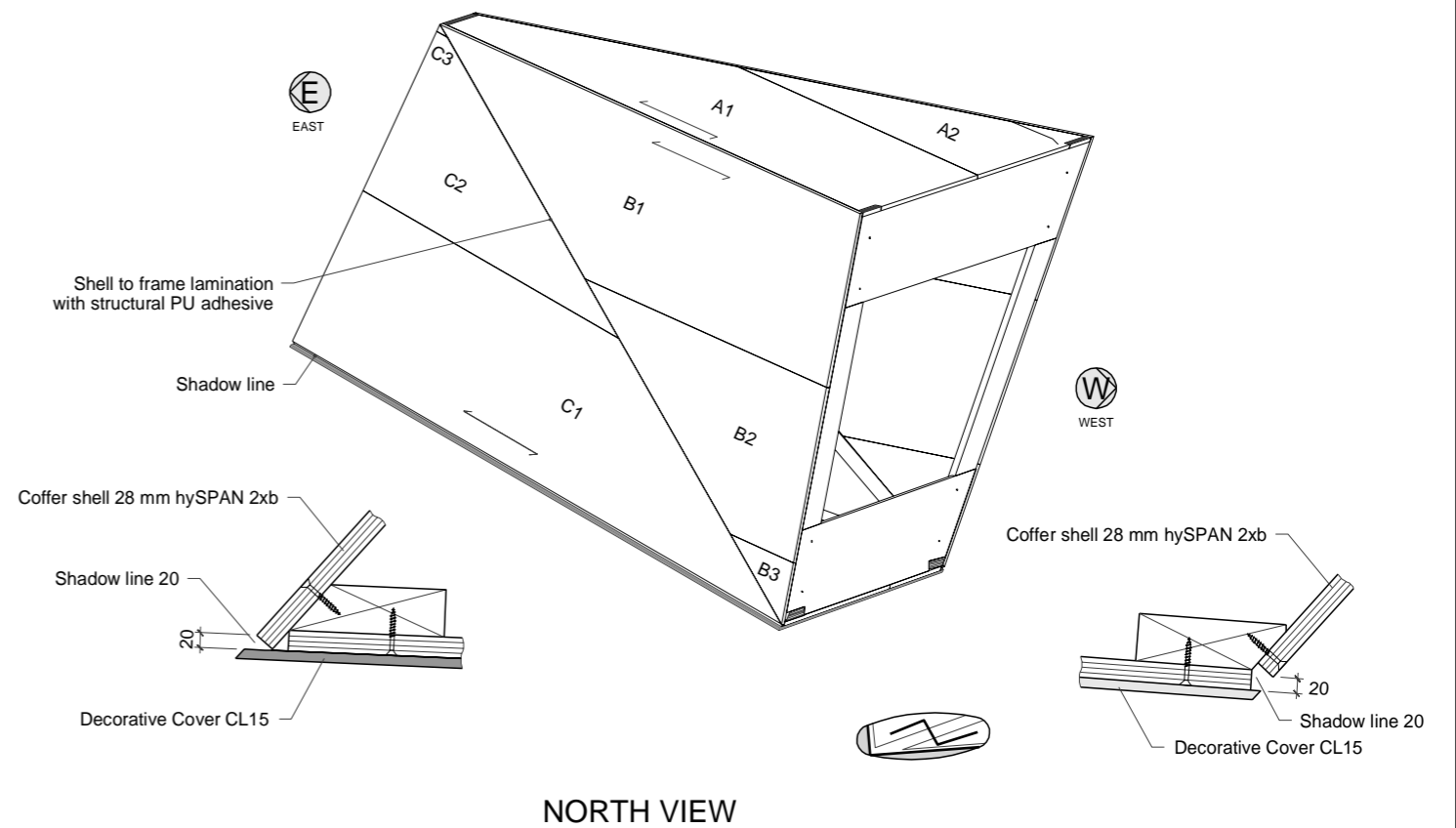
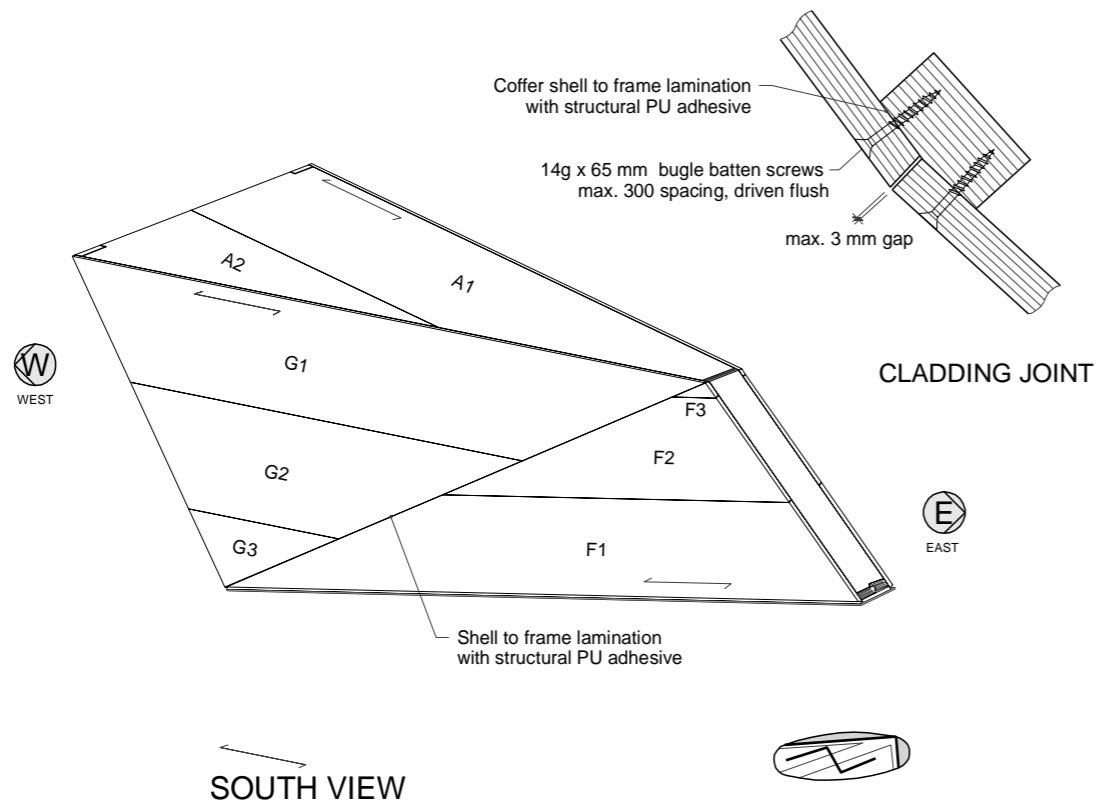
58A WHITESIDE ROAD, CLAYTON SOUTH.
PH: (03) 9543 3733 FAX: (03) 9543 3766

COFFER
SHEET 3 of 3

REV	DATE	DESCRIPTION
-	02Dec13	ISSUED FOR APPROVAL

CONNECTIONS

PROJECT: Faculty of Architecture, Building and Planning The University of Melbourne 757 Swanston Street, Parkville Campus, VIC 3010 FOR : Brookfield Multiplex Constructions Pty Ltd	Scale NTS A3	Job No. 13013	Issue Date 27 Nov 2013	Drawn CE
	Drawing No. 5096		Rev. -	
WORKSHOP DRAWING			COPYRIGHT RESERVED	

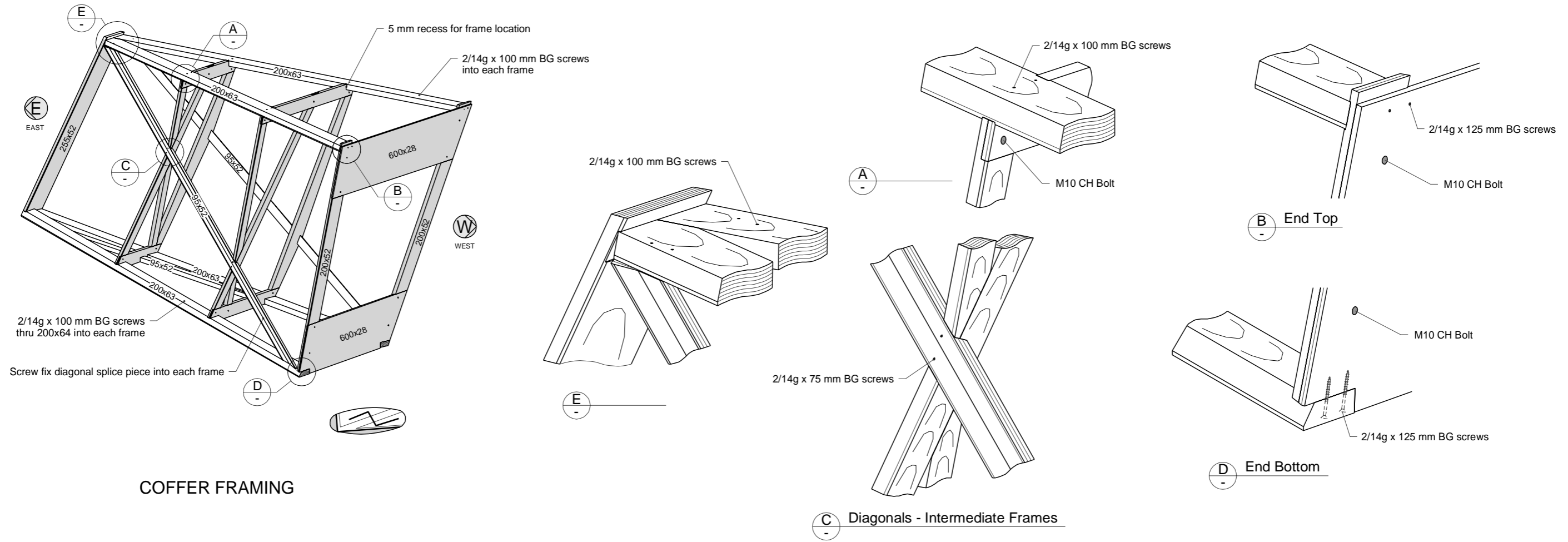


REV	DATE	DESCRIPTION
-	02Dec13	ISSUED FOR APPROVAL

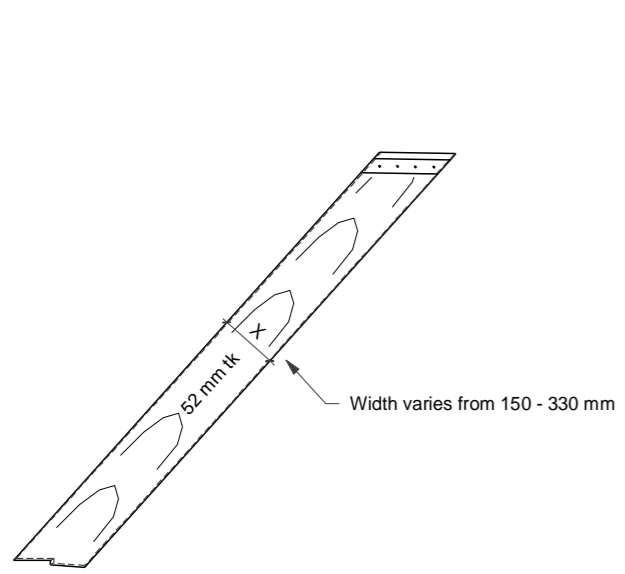
COFFER CLADDING

PROJECT:
Faculty of Architecture, Building and Planning
The University of Melbourne
757 Swanston Street, Parkville Campus, VIC 3010
FOR : Brookfield Multiplex Constructions Pty Ltd

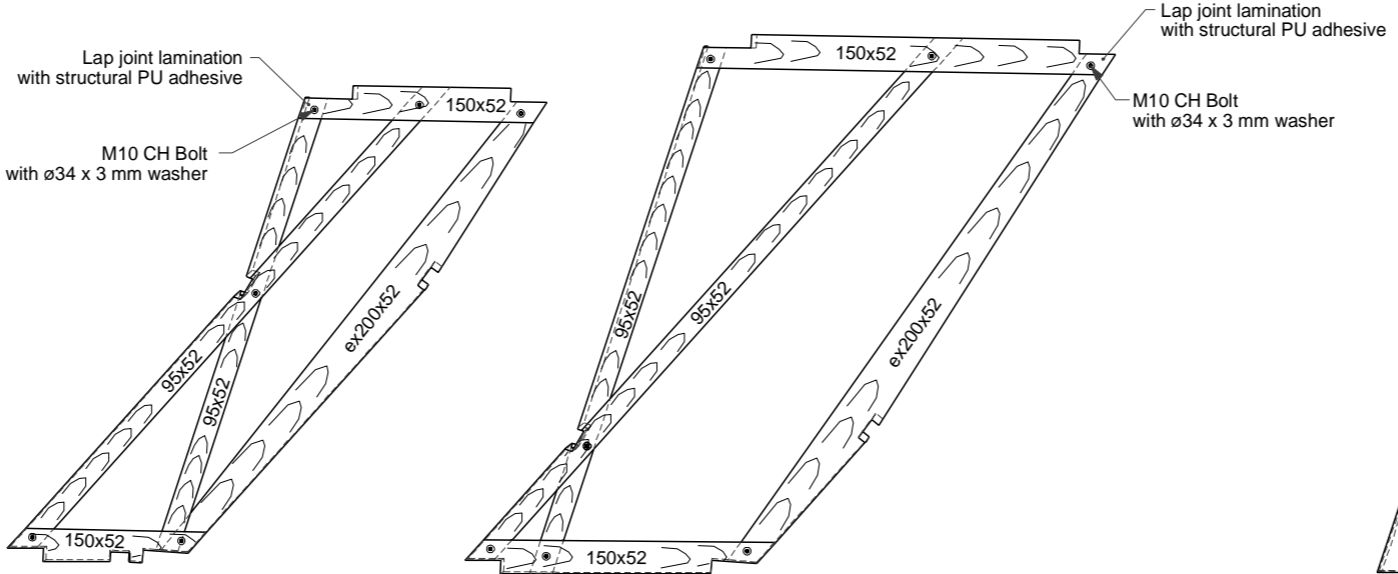
Scale NTS A3	Job No. 13013
Issue Date 27 Nov 2013	Drawn CE
Drawing No. 5094	Rev. -



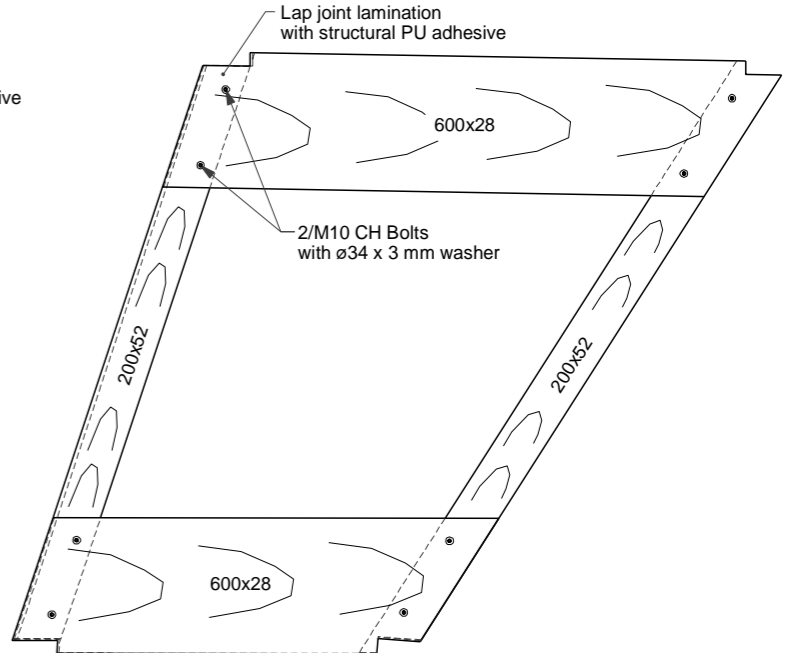
COFFER FRAMING



EAST END



INTERMEDIATE FRAME
at third points



FRAME WEST END

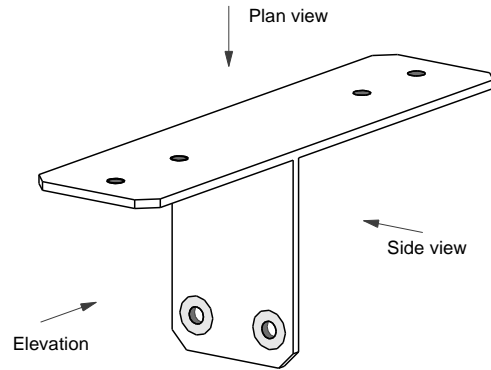


COFFER
SHEET 2 of 3

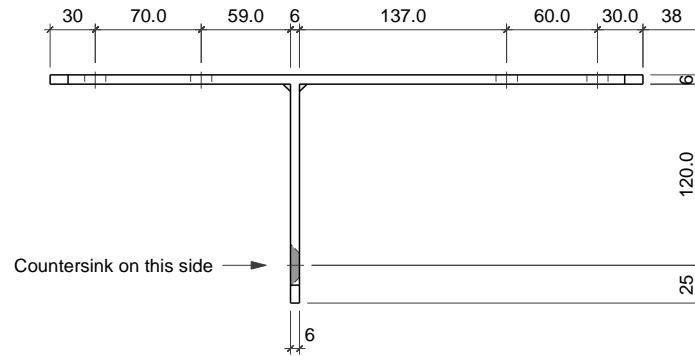
REV	DATE	DESCRIPTION
-	02Dec13	ISSUED FOR APPROVAL

COFFER FRAMING

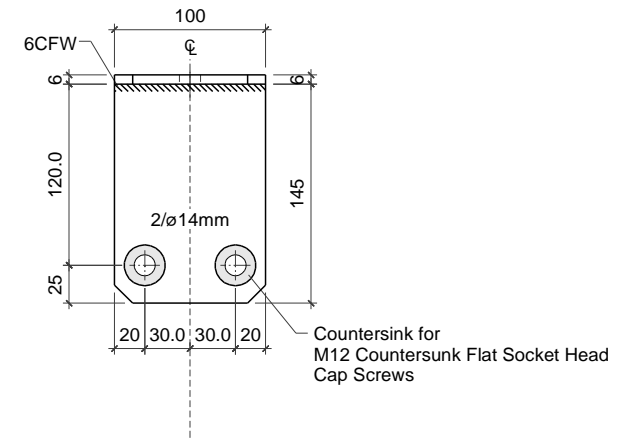
PROJECT: Faculty of Architecture, Building and Planning The University of Melbourne 757 Swanston Street, Parkville Campus, VIC 3010 FOR : Brookfield Multiplex Constructions Pty Ltd		Scale NTS A3	Job No. 13013
		Issue Date 27 Nov 2013	Drawn CE
		Drawing No. 5095	Rev. -
WORKSHOP DRAWING		COPYRIGHT RESERVED	



Axonometric view

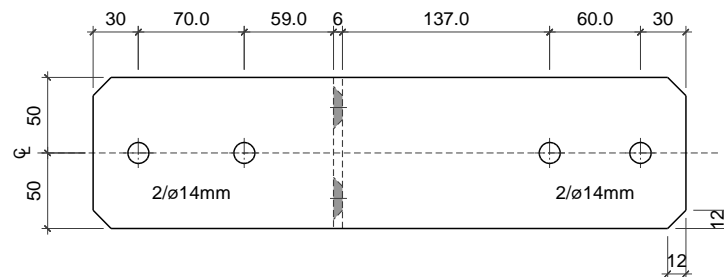


Side view



Elevation

NOTE: Countersink on side shown in elevation & axonometric view



Plan view

TOLERANCE SPECIFICATION

XX. = ±1mm
 XX.X = +0.1mm

1. BRACKET FROM 6 mm THICK Gr. 250 STEEL
2. ALL HOLES 14 mm
3. ELECTROPLATE AFTER FABRICATION

NO OFF. 92

Rev No	Revision	Date	By	Checked
-	ISSUED FOR APPROVAL	02Dec13		

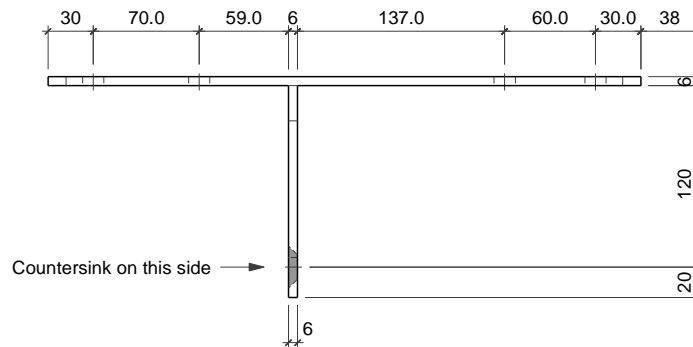
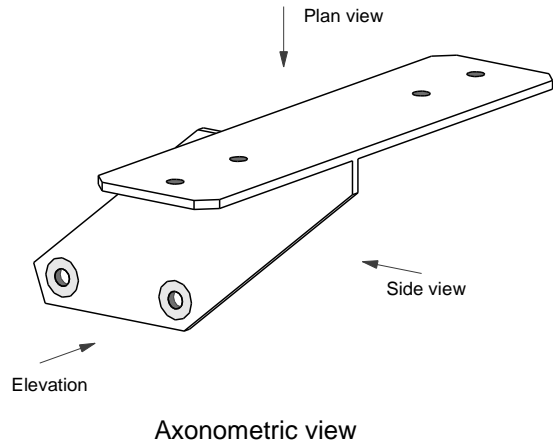
Timberbuilt Solutions Pty Ltd
 58A WHITESIDE ROAD, CLAYTON SOUTH.
 PH:(03) 9543 3733 FAX:(03) 9543 3766

TOP BRACKET

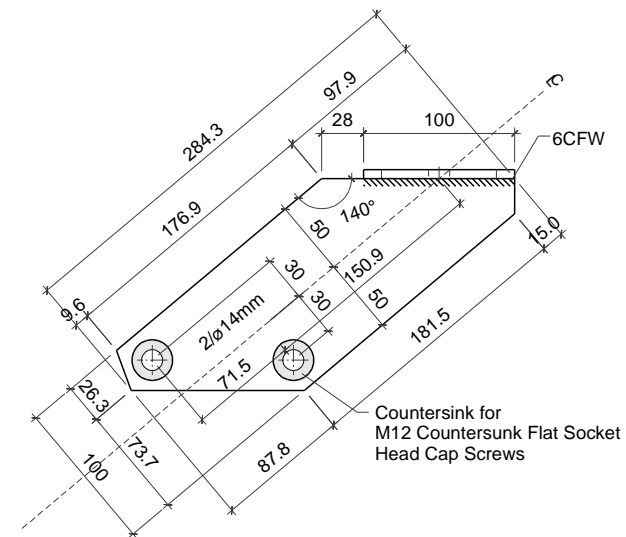
Project :	Job number:	Sheet:	Date:
Faculty of Architecture, Building and Planning	13013	WSD2 A4	15 Aug 2013
Parkville Campus	Scale:	Drawing Number	Drawn
For : University of Melbourne, VIC 3010, Australia	1:5	4988	CE

WORKSHOP DRAWING

COPYRIGHT RESERVED

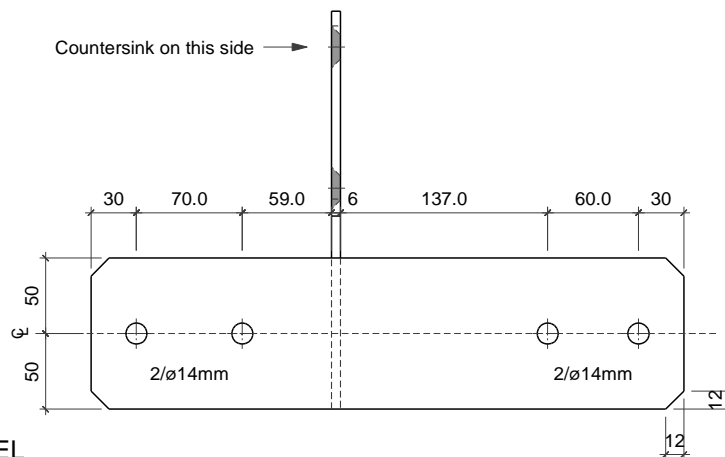


Side view



Elevation

NOTE: Countersink on side shown in elevation & axonometric view



Plan view

TOLERANCE SPECIFICATION

XX. = ±1mm
 XX.X = +0.1mm

1. BRACKET FROM 6 mm THICK Gr. 250 STEEL
2. ALL HOLES 14 mm
3. ELECTROPLATE AFTER FABRICATION

NO OFF. 13

Rev No	Revision	Date	By	Checked
-	ISSUED FOR APPROVAL	04Dec13		

Timberbuilt Solutions Pty Ltd

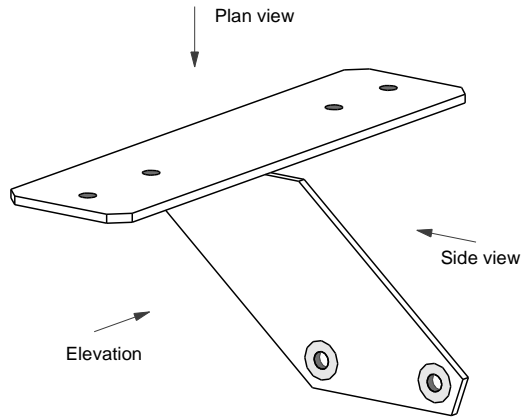
58A WHITESIDE ROAD, CLAYTON SOUTH.
 PH:(03) 9543 3733 FAX:(03) 9543 3766

TOP BRACKET EAST

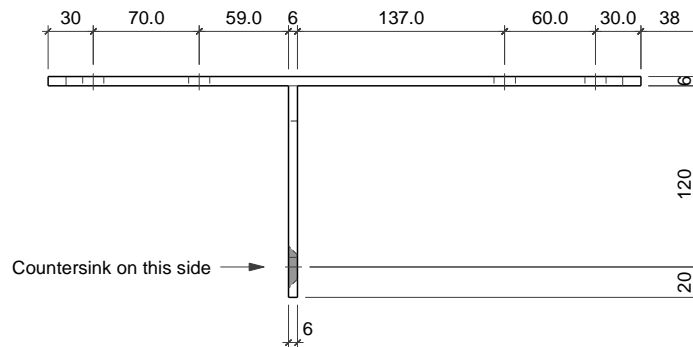
Project :	Job number:	Sheet:	Date:
Faculty of Architecture, Building and Planning	13013	WSD4 A4	4 Dec 2013
Parkville Campus	Scale:	Drawing Number	Drawn
For : University of Melbourne, VIC 3010, Australia	1:5	5108	CE

WORKSHOP DRAWING

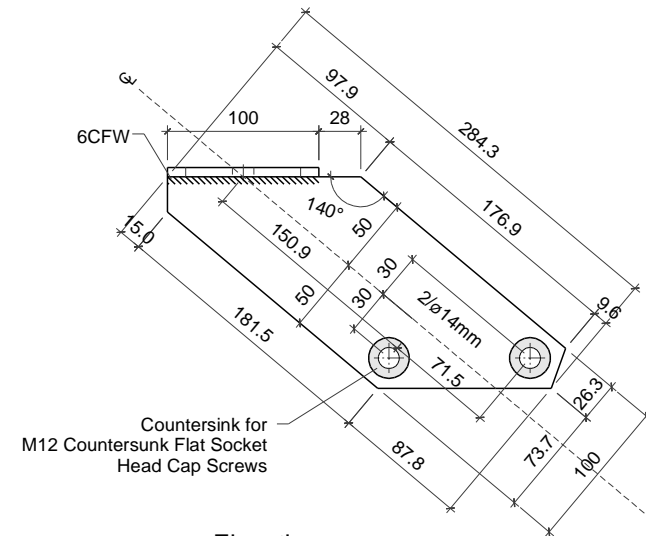
COPYRIGHT RESERVED



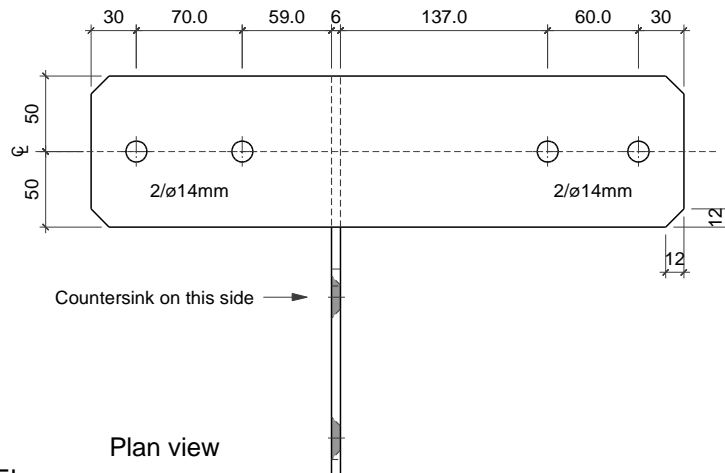
Axonometric view



Side view



Elevation



Plan view

NOTE: Countersink on side shown in elevation & axonometric view

TOLERANCE SPECIFICATION

XX. = ±1mm
 XX.X = +0.1mm

1. BRACKET FROM 6 mm THICK Gr. 250 STEEL
2. ALL HOLES 14 mm
3. ELECTROPLATE AFTER FABRICATION

NO OFF. 6

Rev No	Revision	Date	By	Checked
-	ISSUED FOR APPROVAL	04Dec13		

58A WHITESIDE ROAD, CLAYTON SOUTH.
 PH:(03) 9543 3733 FAX:(03) 9543 3766

TOP BRACKET WEST

Project :	Job number:	Sheet:	Date:
Faculty of Architecture, Building and Planning	13013	WSD3 A4	04 Dec 2013
Parkville Campus	Scale:	Drawing Number	Drawn
For : University of Melbourne, VIC 3010, Australia	1:5	5107	CE

WORKSHOP DRAWING COPYRIGHT RESERVED